



BARD & BRAZIER



FLOATING RAIL RANGES



BARD & BRAZIER

LUXURY MANUFACTURING

Bard & Brazier's aim to produce the finest Towel Warmers to the highest quality and standards, both aesthetically and technically, has been realised with the extension of our factory in Wolverhampton. This excellence in our products is due to the precision engineering and skill of our artisan Craftsmen who are responsible for manufacturing every rail by hand.

We are set apart from our competitors by manufacturing every individual internal and external component, ensuring our high standard of quality control is met. It allows us to offer a bespoke service, running hand in hand with our standardised ranges so that the Consumer, Designer or Specifier can have exactly what is wanted in the size that suits.

Using only the highest grade silver solder ensures inherently strong jointing. Prior to plating, each rail passes through our own polishing shop where strict controls ensure that all solder is properly polished from the joints and that flat surface areas are perfectly smooth to ensure perfect plating.

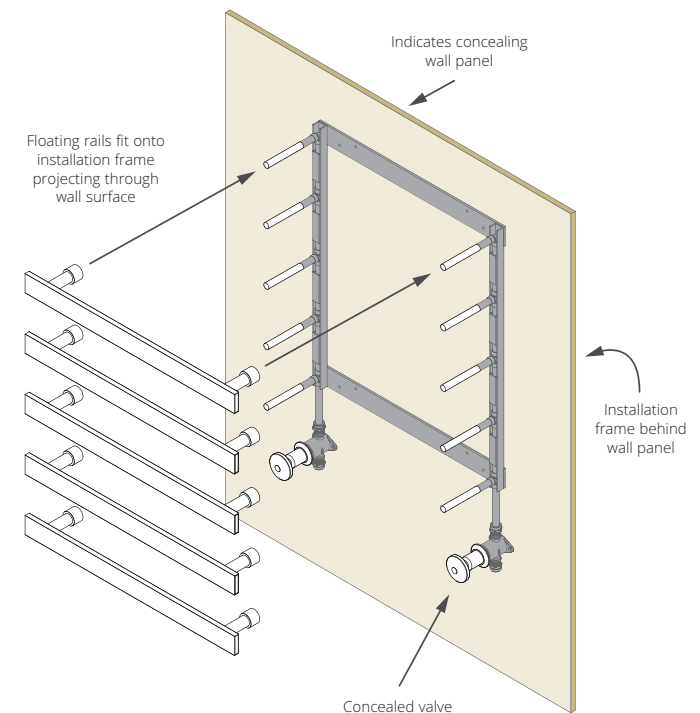
We open our factory doors to welcome any of our valued Clients to visit, where the exacting production processes can be watched and better understood. We are proud to claim that our outstanding products are unmatched in quality and are Made In Britain.

THE FLOATING RAIL CONCEPT

Owing to an ever-increasing demand for creativity in the bathroom, we have expanded our capacity for bespoke manufacture with our exquisitely minimal floating rails. Based on our renowned heated towel rail range, these unique additions allow for complete custom designs.

While our in-house manufacturing has always allowed for a bespoke service, our latest concept is more versatile still – where the size, colour and number of panels can be wholly dictated by the customer.

To ensure the range remains as elegant as possible, we have designed the installation frame to sit behind the wall, with only connection tubes projecting through. Each panel of the rail is then mounted to the wall individually, achieving the desired floating effect.



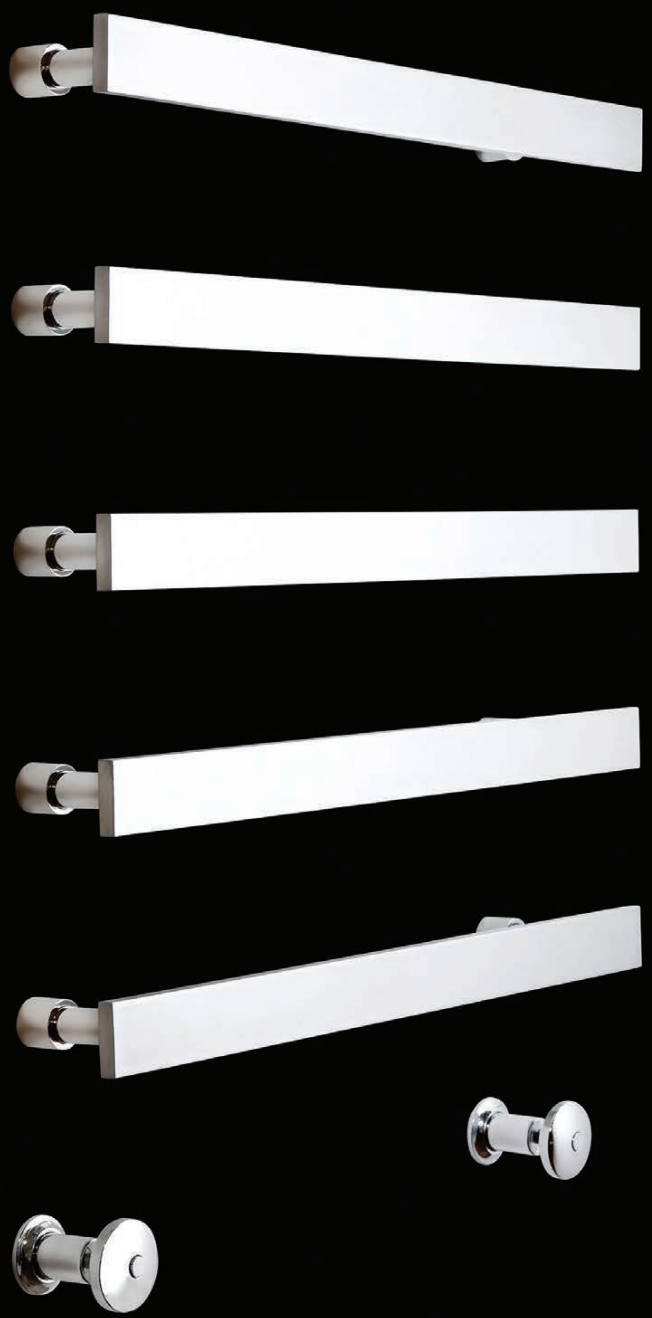


D-RAIL FLOATING RAIL

With its distinctive clean lines, the original D-Rail was designed to be sleek, refined and highly contemporary. Stripped back to include only horizontal rails, our new floating version of the best-seller is more minimalistic still, making it an effortless addition to any bathroom. In keeping with its streamlined aesthetics, the valves of the D-Rail have been integrated into the rails where they sit virtually undetected.

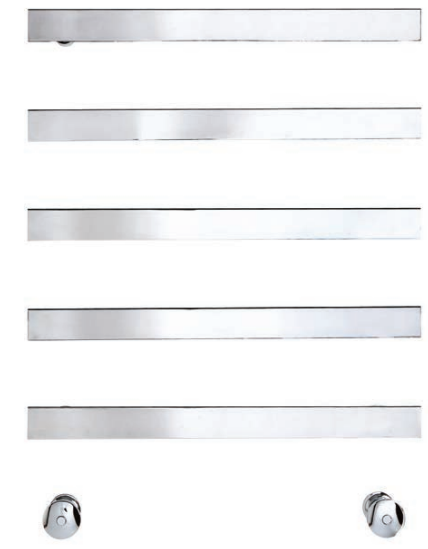


Product Code	Description
FDR1-1	D-Rail Float Single Bar
FDR1-2	D-Rail Float 2 Bars
FDR1-3	D-Rail Float 3 Bars
FDR1-4	D-Rail Float 4 Bars
FDR1-5	D-Rail Float 5 Bars
INF2-1	Installation Frame Single Bar
INF2-2	Installation Frame 2 Bars
INF2-3	Installation Frame 3 Bars
INF2-4	Installation Frame 4 Bars
INF2-5	Installation Frame 5 Bars



ZINGO SULTAN FLOATING RAIL

The Zingo Sultan with its sleek design and slim profile becomes even more striking with our new floating concept. While its minimal appearance lends itself to a contemporary setting, the proportions and angularity of this rail ooze sophistication and elegance suited to a deco environment. The precision of Bard & Brazier's craftsmanship is particularly palpable here, where the simplicity of each rail demands absolute perfection. Light and effortless, the Zingo Sultan is a vision of ultimate luxury.



Product Code	Description
FZS1-1	Zingo Float Single Bar
FZS1-2	Zingo Float 2 Bars
FZS1-3	Zingo Float 3 Bars
FZS1-4	Zingo Float 4 Bars
FZS1-5	Zingo Float 5 Bars
INF1-1	Installation Frame Single Bar
INF1-2	Installation Frame 2 Bars
INF1-3	Installation Frame 3 Bars
INF1-4	Installation Frame 4 Bars
INF1-5	Installation Frame 5 Bars
PNCRV	Panama Concealed Valve



LA FAYETTE FLOATING RAIL

Classic and timeless, the La Fayette is reminiscent of Victorian opulence. The dimensions of each ball joint have been carefully considered as not to overpower the basic structure and although meticulous design processes were adopted to ensure the range remains authentic, this floating addition brings a traditional design to the Twenty-First century.



Product Code	Description
FLF1-1	La Fayette Float Single Bar
FLF1-2	La Fayette Float 2 Bars
FLF1-3	La Fayette Float 3 Bars
FLF1-4	La Fayette Float 4 Bars
FLF1-5	La Fayette Float 5 Bars
INF1-1	Installation Frame Single Bar
INF1-2	Installation Frame 2 Bars
INF1-3	Installation Frame 3 Bars
INF1-4	Installation Frame 4 Bars
INF1-5	Installation Frame 5 Bars
PCRV	Pullman Concealed Valve

FLOATING RAIL FINISHES

All our rails & valves are available in the finishes shown here, bespoke options also available.



Polished Chrome (PC)



Polished Nickel (PN)



Brushed Nickel (BN)



Polished Brass (PB)



Polished Copper (PCO)



Antique Gold (AG)



Champagne Gold (CG)



Hard Rubbed Gold (HRG)



Oil Rubbed Bronze (ORB)



London Bronze (LB)

CONCEALED VALVES



PANAMA



PULLMAN

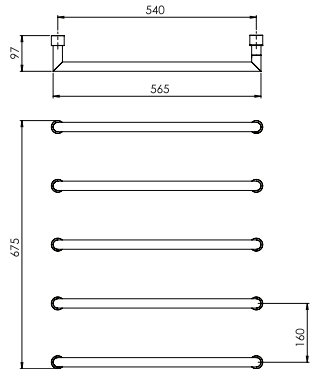


D-RAIL INTEGRAL

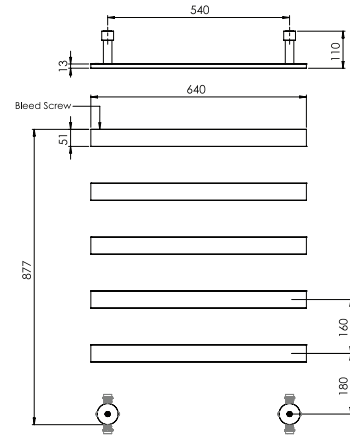
Product Code	Description
PNCRV	Panama Concealed Valve
PCRV	Pullman Concealed Valve

RAIL TECHNICAL DETAILS

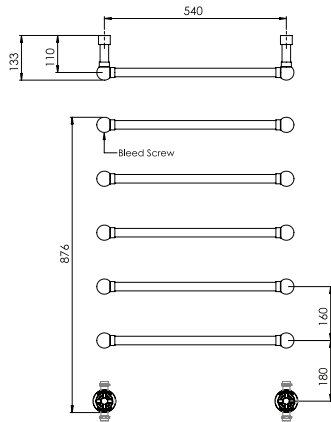
D-RAIL FLOATING RAIL



ZINGO SULTAN FLOATING RAIL



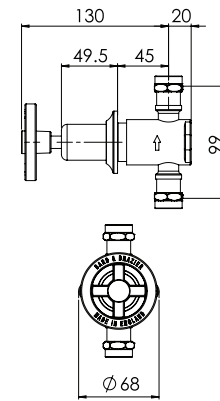
LA FAYETTE FLOATING RAIL



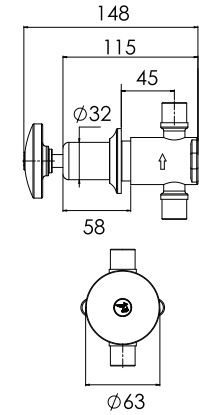
All measurements are in millimetres and may vary slightly due to products being handmade.
Bard and Brazier reserve the right to alter dimensions.

VALVE TECHNICAL DETAILS

PULLMAN VALVE



PANAMA VALVE



All D-Rails supplied with integrated valves. All other rails do not include valves.



BARD & BRAZIER

MARSTON ROAD, WOLVERHAMPTON, WEST MIDLANDS WV2 4LX.

T: +44 (0)121 270 2222 E: INFO@BARDBRAZIER.CO.UK

WWW.BARDBRAZIER.CO.UK

E. & O.E.